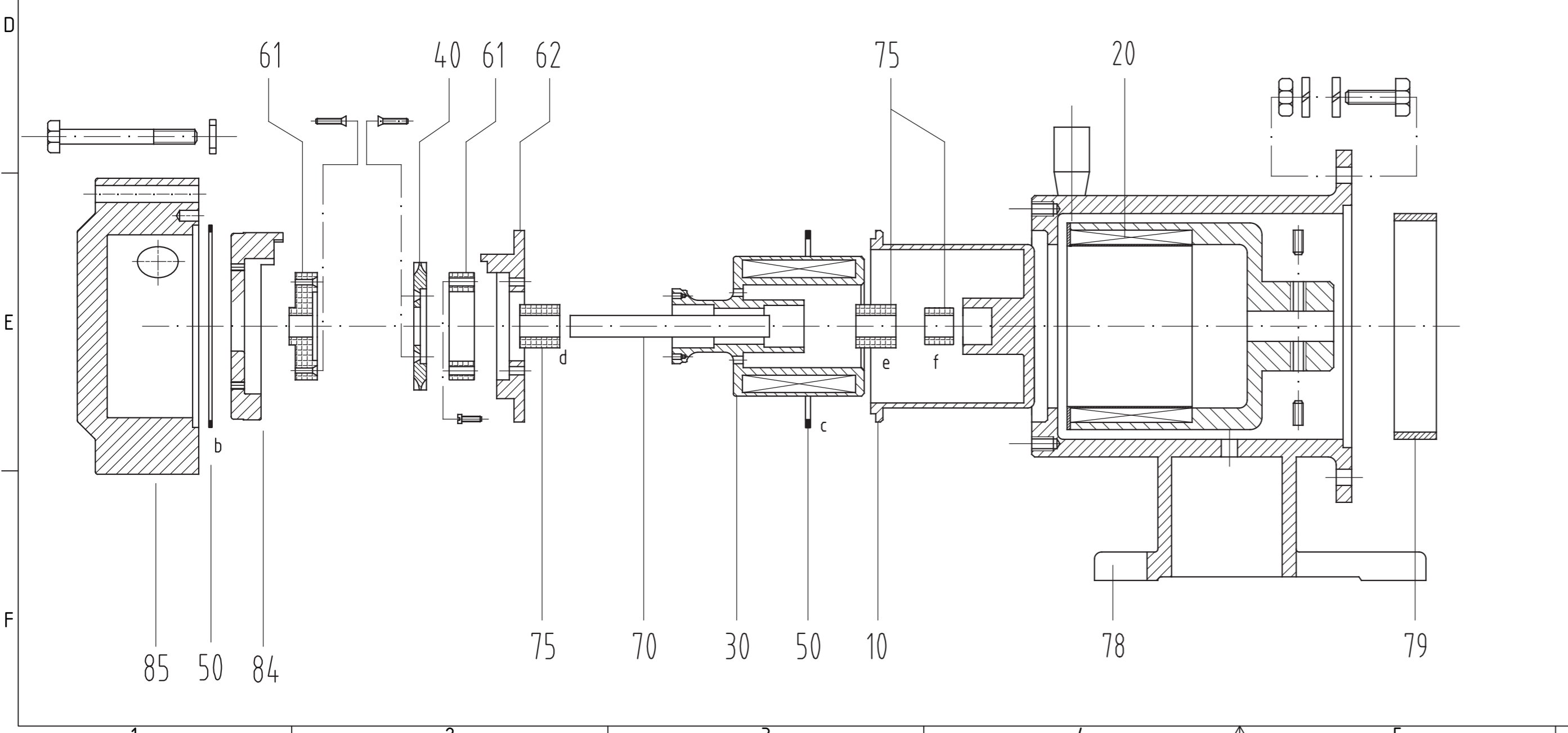


REF	DESCRIPTION	MATERIAL	CODE
10	Containment shell	Titanium Gr.5	
20	Ext. Magnet	CoSm/ Carbon Steel	
30	Int. Magnet	SS 316L/CoSm	
40	Impeller	SS 316L	
50	Set O-Rings (a+b+c) b = O-Ring 4387 (241) c = O-Ring 4437 (245)	Metallic	
61	Thrust Bearings	Pcarbon	
62	Rear Ring	SS316L	
70	Shaft	SIC	
75	Sleeve Bearings Bearings (d+e) Bearing (f)	SIC SS316	
78	Bracket (300-230-38)	Cast Iron	
79	Rub Ring	Bronze	
84	Front Ring	SS 316L	
85	Pump Casing	SS 316L	
88	Rear Wet End (10+30+40+50+61+62+70+75)	/	

(x x) DIFFERENT FROM MOTOR MANUFACTURER
- DIRECTION AND PORTS LOCATION ARE REVERSIBLE



Alle Angaben unverbindlich, technische Änderungen vorbehalten! Technical data not binding and subject to change!
Copyright MARCH PUMPEN GmbH & Co.KG 2020

	MARCH PUMPEN GmbH & Co.KG Rätthausstraße 2 D-35394 Gießen info@march-pumpen.com www.march-pumpen.com		Allgemeintoleranzen nach DIN ISO 2768-m			
			Alle Kanten gratfrei			
		Datum	Name	Series MTA MTA 1011 SSF LC HT DPCA-1011-SSF-LC-HT		
		Gezeichnet	02.11.2020			Lach
		Kontrolliert				
		Norm			1	
Status	Änderungen	Datum	Name	A2		